

**8+ AGES**



Model no: RC1585  
Batch no: PR3758

# 12CH REMOTE CONTROL TOWER CRANE

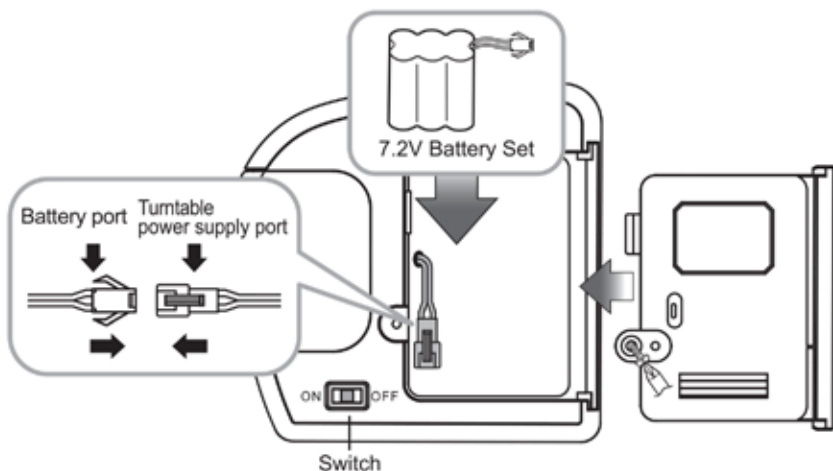
**USER'S GUIDE**



In order to more rapidly and freely operate the remote-controlled model, please read the instructions before usage.  
 The packages and instructions contain important information, please keep them well.  
 In case the product figure differs from real object, the real object will prevail.

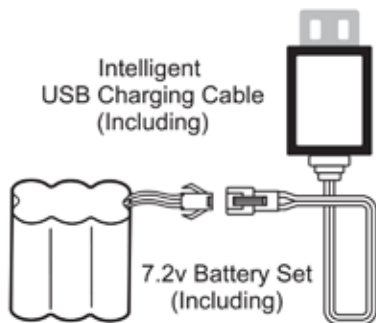
## RTHE TOWER CRANE TURNTABLE BATTERY INSTALLATION


Open the tower crane turntable battery cover, install 7.2V charging batteries set, Cover the battery cover and tighten the screws.





## BATTERY CHARGING INSTRUCTIONS

1. Connection LED lights lit;
2. Charging LED lights flash slowly;
3. Full LED light goes out;



- 

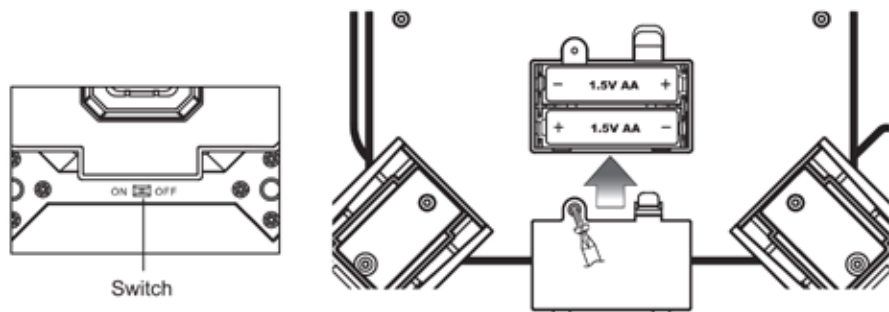
Mode 1  
connect to the computer USB charging
- 

Mode 2  
Connect the USB adapter charge
- 

Mode 3  
charging a mobile charging treasure

## TOWER CRANE BASE BATTERY INSTALLATION INSTRUCTIONS

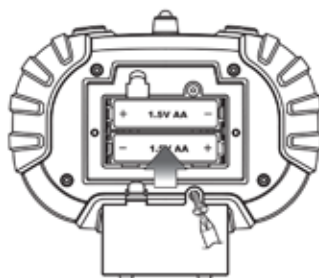
Open the base battery cover, install 2X 1.5V "AA" batteries, and close the batteries cover, tighten the screws.



2X 1.5V "AA" batteries (Not It includes)

## INSTALLATION OF REMOTE CONTROL BATTERY

Open the remote control battery cover, install 2X 1.5V "AA" batteries, and close the batteries cover, tighten the screws.



2X 1.5V "AA" batteries  
(Not It includes)

### BATTERY INSTALLATION INSTRUCTIONS:

1. Take out and install battery correctly.
2. The non-rechargeable battery can't be charged.
3. The rechargeable battery can only be charged under custody of adults;
4. Different batteries or new and old batteries can't be used together;
5. Battery of same model or recommended model can be used;
6. The rechargeable battery should be taken out from model before charging.
7. Battery should be placed with correct polarity;
8. The exhausted battery should be taken out from model;
9. Short-circuit of battery terminal is forbidden;

## REMOTE CONTROL FREQUENCY PAIRING AND POWER ON

This product uses 2.4GHz frequency remote control, before the play, should be on the remote control and the tower crane frequency matching;

First tower crane and remote control to install the battery and turn on the power.

Tower crane power switch

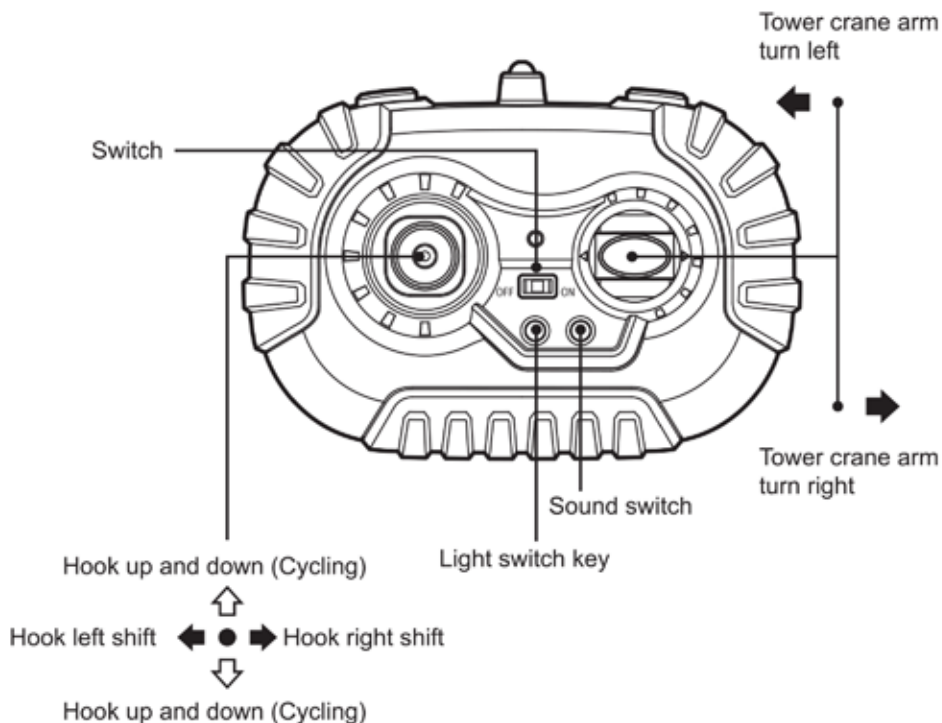


Remote Power Switches

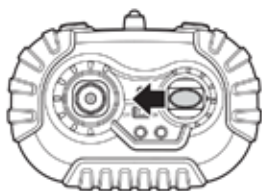


At this point the remote will automatically find the frequency, the indicator blinking. When the remote control indicator stops flashing, Tower crane will issue a "beep" sound, frequency matching completed. Press any key to start the tower crane sound effect, the remote control function can be used normally.

## FUNCTION INTRODUCTION OF REMOTE CONTROL



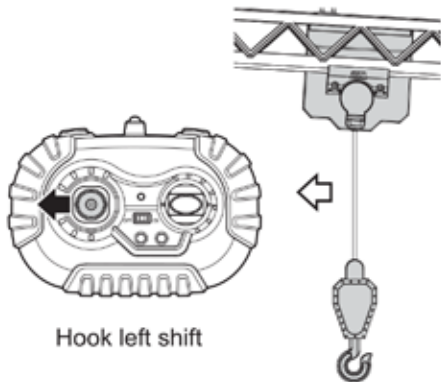
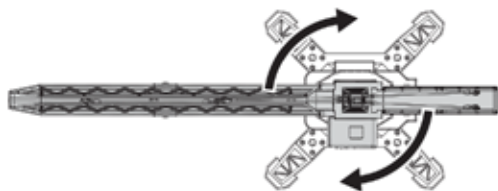
## FUNCTIONAL OPERATING INSTRUCTIONS



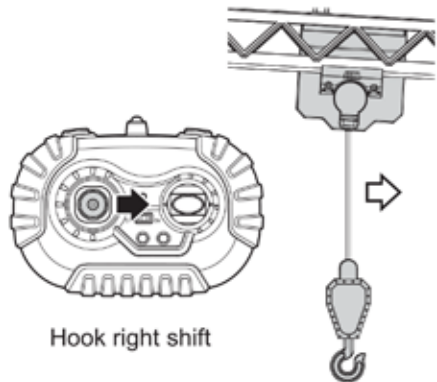
Tower crane arm turn left



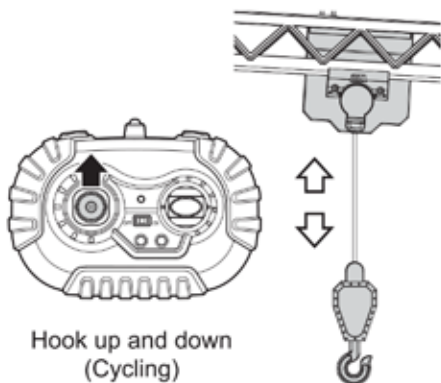
Tower crane arm turn right



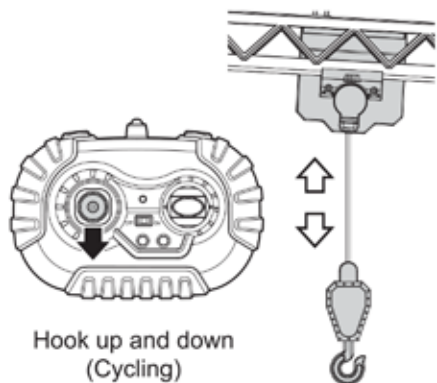
Hook left shift



Hook right shift

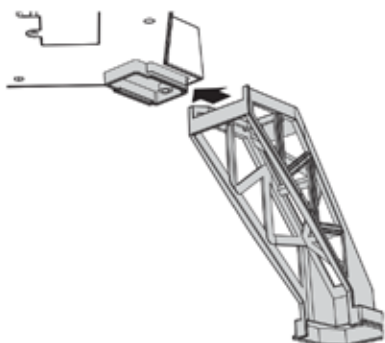


Hook up and down  
(Cycling)

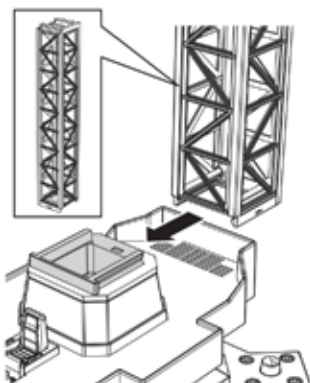


Hook up and down  
(Cycling)

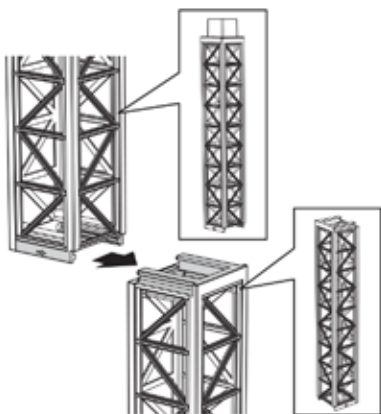
## TOWER CRANE INSTALLATION



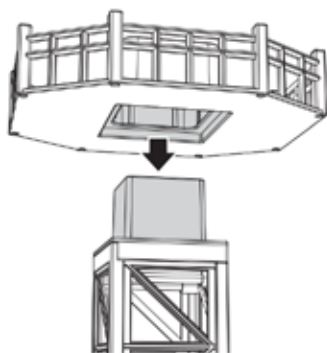
1. Mount the four mounting brackets to the bottom four corners of the socket.



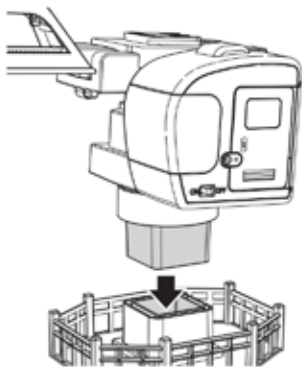
2. Mount the tower to the seat.



3. Raise the tower connection.



4. The platform is installed to the tower.

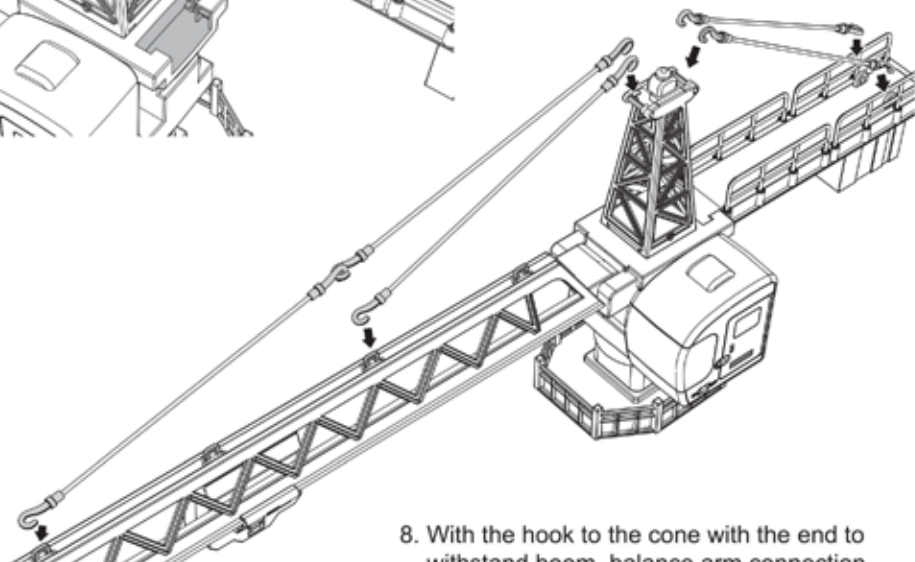
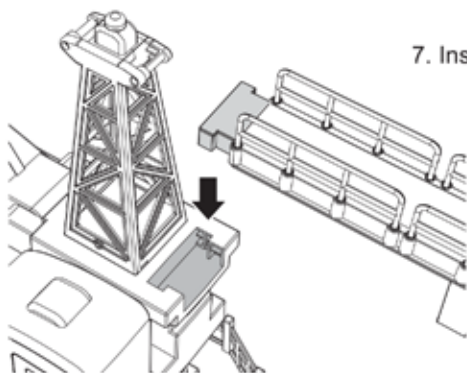


5. Turntable installed to the platform.



6. Install the cone on the turntable.

7. Install the balance arm on the turntable.



8. With the hook to the cone with the end to withstand boom, balance arm connection.

---

## BATTERY USE INSTRUCTION AND CAUTIONS:

1. Batteries must be inserted with the correct polarity.  
Do not mix different types of batteries or new and used batteries.
2. Only the recommended or the same types of batteries use with the.
3. The supply terminals can not be short circuited.
4. Exhausted batteries must be removed from the car.
5. Non-rechargeable batteries should not be charged.  
The batteries are only to be charged under adult supervision.
6. The batteries must be removed from the toy before charging.
7. The user needs to be regularly examined for the damage of the wire, plug, shell and related part, in the event of such damage, stop using until the damage has been repaired. Do not break off the antenna of the controller, or the sharp part may cut you.
8. The tower crane turntable uses 7.2V chargeable battery set,  
Tower crane base uses 2x1.5V "AA" alkaline non-rechargeable battery.  
R/C controller should use 2x1.5V "AA" alkaline non-rechargeable battery.

# LENOXX

[www.lenoxx.com.au](http://www.lenoxx.com.au)

 1300 666 848

 LenoxxElectronics

 LenoxxElectronics

 @LenoxxAustralia



## NO.1585

The Company has the right of final interpretation of this instruction manual statement.

**MADE IN CHINA**