

LENOXX

JB300

Bluetooth® **JUKEBOX** ENTERTAINMENT SYSTEM



Model no: JB300 | Batch no: PR4146

PLEASE READ AND RETAIN THESE INSTRUCTIONS FOR FUTURE REFERENCE.

The illustrations used in this manual are to illustrate the operation method and product structure of the product. Where there is a small difference between the physical item and the illustrations, please take the physical as the standard.

SAFETY INSTRUCTIONS:

When using electrical units, basic safety precautions should always be followed.

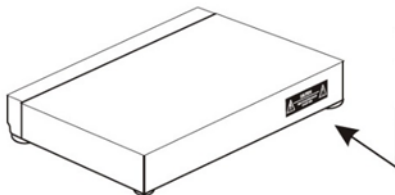
- Check that the voltage indicated on the rating plate corresponds with that of the local network before connecting the unit to the mains power supply.
- Children aged from 8 years and people with reduced physical, sensory or mental capabilities or lack of experience can use this unit, only if they have been given supervision or instruction concerning use of the unit in a safe way and understand the hazards involved.
- Children should be supervised to ensure that they do not play with the unit. Unless they are older than 8 years of age and supervised, children should not perform cleaning or user maintenance. Close supervision is always necessary when an appliance is used by or near children.
- This unit is not a toy.
- This unit contains no user serviceable parts. If the unit and any of its accessories are malfunctioning or it has been dropped or damaged, only a qualified repairer should carry out repairs. Improper repairs may place the user at risk of harm.
- Keep the unit and adaptor out of reach of children.
- Keep the unit and adaptor away from heat or sharp edges that could cause damage.
- Keep the unit away from heat sources, direct sunlight, humidity, water and any other liquid.
- Keep the adaptor away from any parts of the unit that may become hot during use.
- Keep the unit free from dust, lint etc.
- Do not immerse the unit in water or any other liquid.
- Do not operate the unit with wet hands.
- Do not operate the unit if it has been exposed to water, moisture or any other liquid, to prevent against electric shock, explosion and/or injury to yourself and damage to the unit.
- Do not leave the unit unattended whilst connected to another device.
- Do not leave the unit unattended whilst connected to the mains power supply.
- Do not remove the appliance from the mains power supply by pulling on the cord; switch it off and remove the plug by hand.
- Do not use the unit for anything other than its intended use.
- Do not use any accessories other than those supplied.
- Do not use this unit outdoors.
- Do not store the unit in direct sunlight or high humidity conditions.
- Do not move the unit whilst it is in use.
- Do not put any objects into any of the openings.
- Do not play the music at excessive volume levels as damage to hearing and/or the equipment may occur.
- To prevent possible hearing damage, do not listen at high volume levels for long periods of time.
- It is imperative to unplug the power cord after the unit has been used, before it is cleaned and whilst it is being repaired.
- The unit must be placed on a stable, heat resistant surface.
- The unit is intended for domestic use only. It should not be used for commercial purposes.

- The unit may become hot during operation. Always leave sufficient space around the unit for ventilation.
- The voltage supplied to the unit should match the voltage that is printed on the back panel. If you have any doubts concerning this matter, consult an electrician.
- Avoid placing the unit in direct sunlight or close to any sources of heat. Also avoid locations subject to vibrations and excessive dust, heat, cold or moisture.
- Do not expose the unit to water.
- Do not place the unit on an amplifier or receiver.
- Do not open the cabinet as this might result in damage to the circuits or an electric shock. If a foreign object gets into the unit, contact your dealer or service company.

CAUTION:



**CLASS I LASER
PRODUCT**



	<p>The lightning flash with an arrowhead symbol within an equilateral triangle is intended to alert the user to the presence of uninsulated "dangerous voltage" within the product's enclosure that may be of sufficient magnitude to constitute a risk of electric shock to persons.</p>
	<p>The exclamation point within an equilateral triangle is intended to alert the user to the presence of important operating and maintenance (servicing) instructions in the literature accompanying the appliance.</p>

WARNING: DO NOT EXPOSE THIS APPLIANCE TO RAIN OR MOISTURE, DUE TO THE HIGH RISK OF FIRE OR ELECTRIC SHOCK, DO NOT OPEN THE CABINET DANGEROUS HIGH VOLTAGES ARE PRESENT INSIDE THE ENCLOSURE. ONLY QUALIFIED SERVICE PERSONNEL SHOULD ATTEMPT THIS.

- This unit utilises a laser.
- The use of optical instruments with the unit will increase eye hazard, as the laser used in the CD plater is harmful to eyes.
- Use of controls, adjustments or performance of procedures other than those specified herein may result in hazardous radiation exposure.
- Do not attempt to disassemble or repair the unit; refer servicing to qualified personnel only.
- This unit is classified as a class 1 laser product.
- The class 1 laser product marking is located on the laser protective housing inside the enclosure.

BATTERY SAFETY – REMOTE CONTROL ONLY:

This product contains a coin/button cell battery inside.



If swallowed, go straight to a hospital emergency room.

- **WARNING** - KEEP BATTERIES OUT OF REACH OF CHILDREN
- Swallowing may lead to serious injury in as little as 2 hours or death, due to chemical burns and potential perforation of the oesophagus.
- If you suspect your child has swallowed or inserted a button battery immediately call the 24-hour Poisons Information Centre on 13 11 26 (in Australia) or 24-hour National Poisons Centre on 0800 764 766 (in New Zealand) for fast, expert advice.
- Examine devices and make sure the battery compartment is correctly secured, e.g. that the screw or other mechanical fastener is tightened. Do not use if compartment is not secure.
- Dispose of used button batteries immediately and safely. Flat batteries can still be dangerous.
- Do not dispose of batteries in a fire.
- Do not expose batteries to heat or fire as they may explode.
- Do not crush, puncture, dismantle or otherwise damage the batteries.
- Do not dispose of the battery in your household waste.
- To dispose of the battery, take it to your local recycling station. Contact your local government offices for details.
- Tell others about the risk associated with button batteries and how to keep their children safe.
- This unit requires 1 x CR2032 coin battery (included).

INSTALLATION:

- When installing the unit, make sure to place it:
- Away from heat sources, radiators or other products that produce heat.
- Away from areas with hot temperatures, high humidity or direct sunlight.
- Away from excess dirt and dust.
- Away from open windows and any place where water may get into the unit and damage it.
- Make sure there is free circulation of air around the unit. Do not place it on a thick carpet, a bed or any place where ventilation holes are obstructed. Leave at least 10cm clearance around the unit.
- Make sure the mains socket is readily accessible at all times.

USEAGE CONDITIONS AND RESTRICTIONS:

- Do not place heavy objects on top of the equipment or step on it.
- Do not place objects filled with water (such as vases) or any naked flame sources (such as lit candles, incense sticks or cigarettes) on top of the unit.
- We assume no liability for any damage caused by noncompliance with these instructions or any other improper use or mishandling of the equipment.

CLEANING:

- Unplug the unit from the power outlet before cleaning.
- Do not clean the unit with chemical solvents as this may damage the finish. Use a clean, dry cloth.
- Do not submerge the unit, power adaptor or remote in water.

DISCS:

- As a disc is rotated at high speed, it is dangerous to play a broken or deformed disc. Do not apply any tape or glue to the disc as this could lead to damage of the unit. Should there be a strange noise or vibration whilst playing or if the sound skips, stop the player immediately.

GETTING STARTED:

- Remove the unit from the box.
- Remove any packaging from the unit.
- Place the packaging inside the box and either store or dispose of it safely.

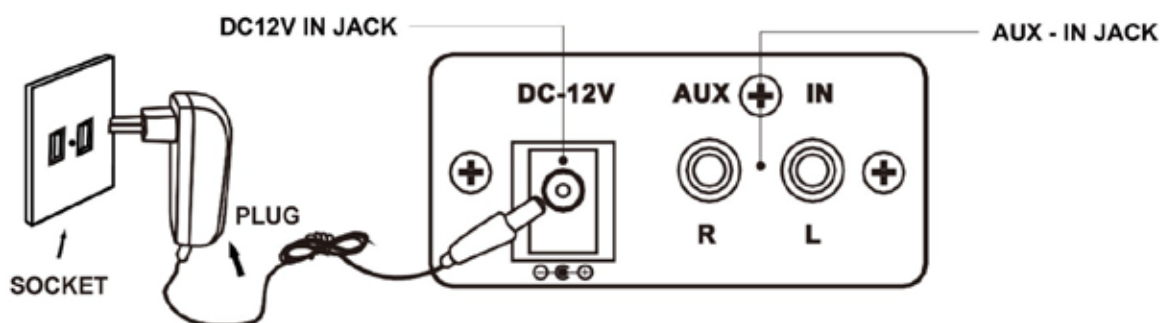
IN THE BOX:

- Bluetooth Jukebox with CD player
- Power adaptor
- Remote control for light control
- Aux in cable
- Instruction manual

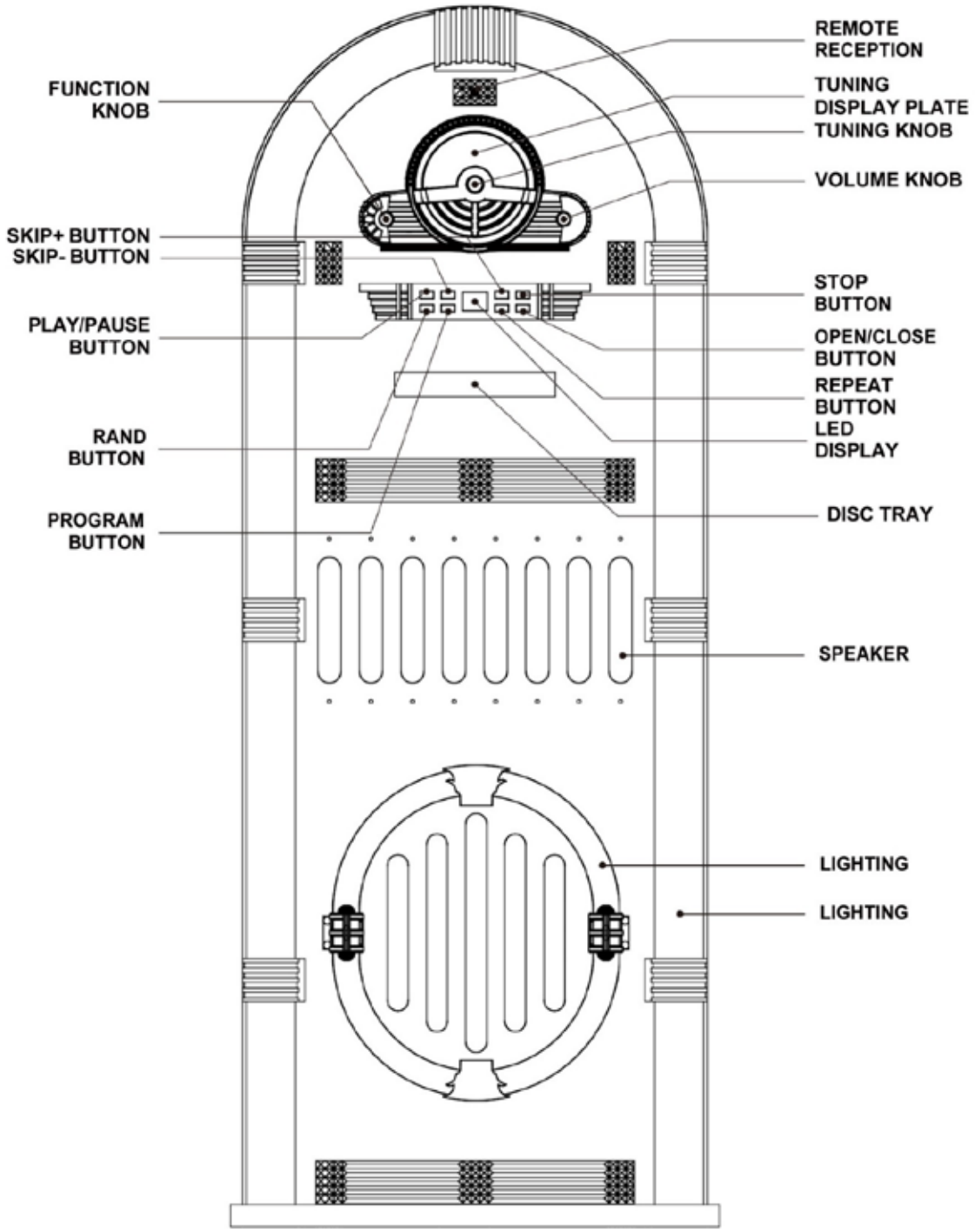
FEATURES:

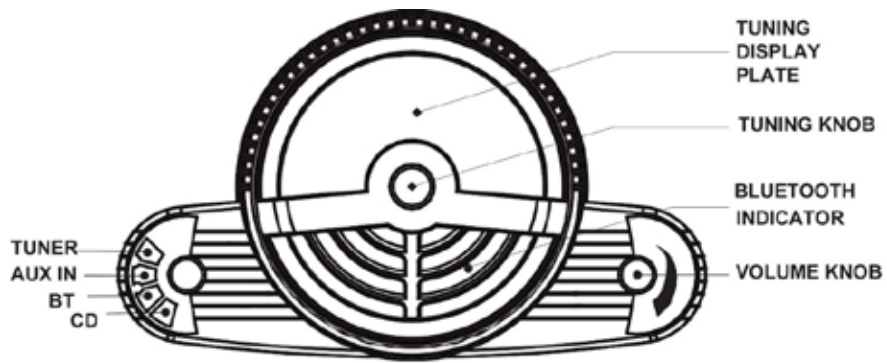
- Bluetooth connectivity 2.1+ EDR
- Wireless range: 10m
- CD player with random, repeat and program functions
- Fm radio
- Aux in
- Speaker Output: 15W x 2 (30W TOTAL)
- Power supply: 12 V
- Colour changing LED lights
- Power adaptor (included)
- Remote control for light control (included)
- Aux in cable (included)

REAR PANEL:

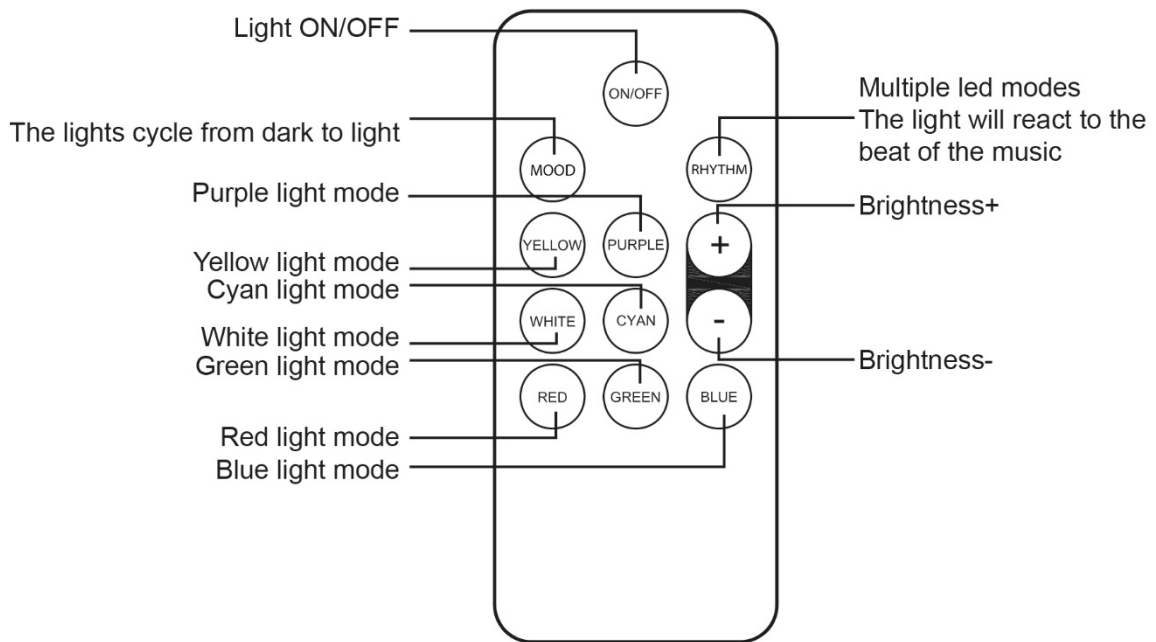


UNIT OVERVIEW:





REMOTE CONTROL FOR LIGHT CONTROL:



TO TURN THE UNIT ON:

Turn the volume knob clockwise until a click is heard, which turns the unit on.

Turn the volume knob anticlockwise to turn the unit off.

LISTENING TO A CD:

1. Set the function knob to the CD position.
2. Press the OPEN/CLOSE button, place a disc in the CD tray.
3. Press the OPEN/CLOSE button to close the tray.
4. Wait for the CD player to read the disc and for the total number of tracks on the disc to be shown on the LED display.
5. Press the PLAY/PAUSE button to start playback.
6. Press the PLAY/PAUSE button to pause disc playback. Press it again to resume playback.
7. Press the SKIP + button to move to the next music track. Press the SKIP + button and hold it down to fast forward through the music track.
8. Press the SKIP – button to go back to previous music tracks. Press the SKIP – button and hold it down to rewind through the music track.
9. Press the STOP button to stop CD playback.
10. Press the RAND button to play the music tracks on the CD disc in random order.
11. Press the REPE button once to repeat one particular music track. The red dot will be flashing next to the track number displayed on the LED display.
Press the REPE button again to repeat the whole CD disc. The red dot will be on (not flashing) next to the track number displayed on the LED display.
Press the REPE button again for no repeat mode – no dot will be shown next to the track number displayed on the LED display.
12. To program the CD player to play particular CD music tracks:
Press the PROGRAM button. The display will show 01.
Then press the SKIP + and SKIP - buttons to program a particular music track to be played.
Press the PROGRAM button again to save the track.
If you want to save a scrod track, press the SKIP + and SKIP – buttons to select another track and press the PROGRAM button again to save and so on.
The unit can program up to 19 tracks.
To play back the programmed music tracks, press the PLAY/PAUSE button.
To erase the programmed tracks, turn off the power on the unit, the programmed tracks will automatically be erased.

BLUETOOTH FUNCTION:

1. Set the function knob to the BLUETOOTH position.
2. Open the Bluetooth settings on your Bluetooth device (e.g.: smart phone).
3. Search for Bluetooth devices. Select the device name CLASSIC AUDIO from the list and wait for pairing.
4. Once pairing is complete, begin music playback from the Bluetooth device.
5. Control the music playback from the Bluetooth device.
6. The max distance is 10 meters.
7. Ensure there are no other Bluetooth devices around which could interfere in connection.
Bluetooth indicator:
Before pairing, the light will flash quickly.
After connection, the light will be still.
During music playback, the light will flash slowly.

AUX IN FUNCTION:

1. Set the function knob to the AUX position.
2. Connect the RCA cable (not included) into the AUX in jack on the rear of the juke box into the external source (e.g.: earphone jack on an MP3 player).
3. Begin music playback on the external source.
4. Control the music playback from the external source.

FM RADIO FUNCTION:

1. Set the function knob to the TUNER position.
2. Turn tuning knob to your chosen radio station.
3. Extend and adjust the position of the FM antenna so that the strongest radio signal can be obtained.

VOLUME KNOB:

The volume can be increased or decreased by turning the volume control knob during any playback mode.

The volume knob also acts as the ON/OFF switch.

Turn the volume knob clockwise until a click is heard, which turns the unit on.

Turn the volume knob anticlockwise to turn the unit off.

LENOXX

www.lenoxx.com.au



1300 666 848



LenoxxElectronics



LenoxxElectronics



@LenoxxAustralia