

**LENOXX**

CR85

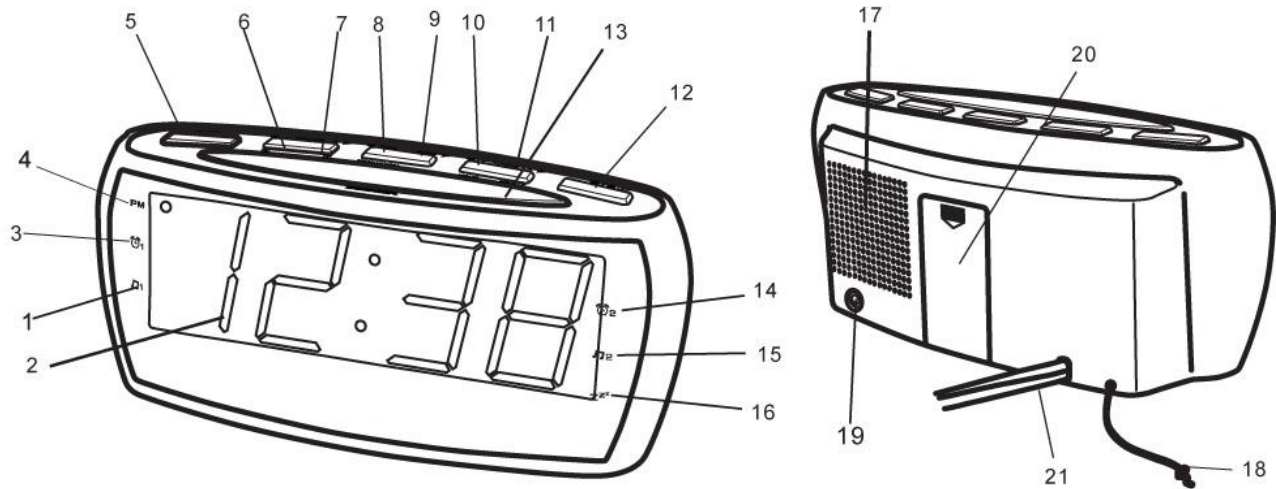
# LARGE NUMBER CLOCK RADIO



Model No: CR85

BATCH NUMBER: PR4277

PLEASE READ AND RETAIN THESE INSTRUCTIONS FOR FUTURE REFERENCE



1. MUSIC (RADIO) ALARM 1 INDICATOR
2. MULTI FUNCTION LED DISPLAY
3. BEEPING ALARM 1 INDICATOR
4. PM INDICATOR
5. SLEEP BUTTON
6. ALARM 1/VOLUME DOWN (-) BUTTON
7. ALARM 2/VOLUME UP (+) BUTTON
8. TIME SET and PRE/M+ BUTTON
9. MODE BUTTON
10. TUNING-/HOUR SET BUTTON
11. TUNING +/MINUTE SET BUTTON
12. POWER ON/STANDBY/ ALARM OFF BUTTON
13. SNOOZE BUTTON and DIMMER BUTTON
14. BEEPING ALARM 2 INDICATOR
15. MUSIC (RADIO) ALARM 2 INDICATOR
16. SLEEP INDICATOR
17. SPEAKER
18. FM WIRE ANTENNA
19. AUX IN PORT
20. BATTERY COMPARTMENT COVER
21. AC POWER CORD

## Radio

1. Press the "ON/OFF" button to turn the clock radio on or off.
2. Press the "MODE" button to select radio band.
3. Adjust the "TUNING+" or "TUNING-" to select the desired station.
4. Press the "VOL +" or "VOL -" button to adjust the volume.
5. Press the "PRE/M+ BUTTON" button to store your desired station. The display will show the "P01" means your station will be saved on the first pre-set. If it displays "P02" this means the station is saved in the second pre-set. **Please note you can only recall the preset station when you save all 10 stations.**

## Setting the Alarm

1. You must switch off the radio before you set the alarm time.
2. Press and hold the “ALARM 1” or “ALARM 2” button until the time display begins to flash.
3. While the time display is flashing, you can set the alarm time. Press the “Hour” to adjust the hour and press “Minute” button to adjust the Minute.
4. When the desired wake time is shown on the screen, press the “ALARM 1” or “ALARM 2” button once to save the alarm time.
5. Use the same method to set Alarm 2.
6. Now you can select to wake up by radio or buzzer. The LED with alarm clock icon stands for wake up to buzzer. The LED with music note icon stands for wake up to radio. Press “ALARM 1” or “ALARM 2” button to select different wake up modes. When there is no LED shown next to the alarm clock icon or musical note icon, the alarm is off and will not sound.

## Canceling the Daily Alarm

Press the “ALARM OFF” button to stop the alarm. The alarm will operate 24 hours later as per alarm time set.

## Cancelling the Alarm

Press the “ALARM 1” or “ALARM 2” buttons. Look for the LED next to the wake-up mode icons – either buzzer or alarm. Press the “ALARM 1” or “ALARM 2” buttons, to switch between the wake-up modes and no LED next to an icon shown. When there is no LED shown next to the alarm clock icon or musical note icon, the alarm is off and will not sound.

## Setting the Clock

1. **You must switch off the radio before you set the clock time.**
2. Press and hold the “TIME SET” button until the display begins to flash, then release the button.
3. Press the Hour and Minute button to adjust the hour and minute.  
The PM indicator will light when the hour is set in the PM.
4. Press the “TIME SET” button to save time

## Setting the Sleep Time

1. You must switch off the radio before you set the sleep time.
2. Press the Sleep button repeatedly to set the sleep time (90, 80, 70, 60, 50, 40, 30, 20, 10 min or OFF).

## Snooze

To use the snooze, press the SNOOZE button when the alarm is sounding. The alarm will stop temporarily but will resume sounding after 9 minutes.

## Dimmer

To dim the LED display, press the SNOOZE button when the time is showing to change between the two display settings.

## Aux in

This alarm clock features an AUX in port.

Connect an Aux in lead (not included) to the earphone jack of a MP3 player or similar device.

Start music playback on your device.

Press the "ON/OFF" button to turn the clock radio on.

Press the "MODE" button repeatedly until the word AUX is shown on the screen of the clock radio.

Connect the other end of the Aux in lead to the Aux in port on the rear of the alarm clock.

The sound of the music playing back from the device will then be played through the alarm clock.

Press the "VOL +" or "VOL -" button to adjust the volume.

## Battery back up

This alarm clock features a battery back up option. This alarm clock is not battery powered.

The time will not be shown if it has batteries inside it and is not connected to mains power.

Add 2 x AAA size batteries (not included) to the alarm clock.

In the event of a power outage, the clock will not show any display.

When the mains power comes back on, the correct clock time will be displayed.

## NOTES

1. The apparatus shall not be exposed to dripping or splashing and that no objects filled with liquids, such as vases, shall be placed on apparatus.
2. To be completely disconnect the power input, the mains plug of apparatus shall be disconnected from the mains. As the disconnect device is the mains plug of apparatus.
3. The mains plug of apparatus should not be obstructed OR should be easily accessed during intended use.
4. Battery shall not be exposed to excessive heat such as sunshine, fire or the like.
5. Minimum distances 10cm around the apparatus for sufficient ventilations.
6. The ventilation should not be impeded by covering the ventilation openings with items such as newspaper, tablecloths, curtains etc.
7. No naked flame sources such as lighted candles should be placed on the apparatus.
8. Attention should be drawn to the environmental aspects of battery disposal.
9. The use of apparatus in moderate climates.
10. The rating label has marked on the bottom panel of the apparatus.

## SPECIFICATIONS

Frequency Range: AM 530-1600KHz

FM 88 –108 MHz

Power Source: AC 230V ~ 50 Hz, 4W

DC 2 x AAA batteries (For back-up) (not included)

Power Output: 300 mW

# LENOXX

[www.lenoxx.com.au](http://www.lenoxx.com.au)

 1300 666 848

 LenoxxElectronics  @LenoxxAustralia