



Assembly Instruction

4 rows shelf storage toy organiser

Model no: 5608

WARNING!
SMALL PARTS - Choking and suffocation hazard. Not recommended for children under 36 months.

WARNING!
ADULT ASSEMBLY REQUIRED
 - Keep away from children until assembled.

Made in Taiwan

Please read and retain these instructions for future reference.

Please read instructions before assembling.

Assemble on a soft and smooth area.

To avoid suffocation or choking, keep all bags and small parts away from babies and children,

Please keep the product and all parts away from children before full assembly has been completed by an adult.

Do not stand, jump or play on this product.

Cease using the product if it is cracked or it becomes broken.


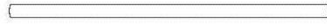

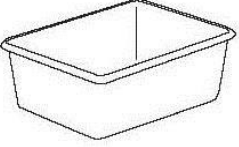
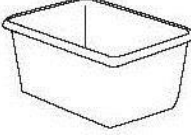

Do not sway the product while in use.

This product is for indoor use only.

Long term exposure to the sun is not recommended in order to avoid plastic discoloration.

Cleaning: Wipe wood with a damp cloth. Wash any plastic parts with mild dish soap. Do not place in the dishwasher.

Parts:

		
A. End Panel x2	B. Metal rod x8	C. Screw x20
		
D. Bin(L) x4	E. Bin(S) x8	F. Brace x2

Assembly Steps:

- 1) Using screws (C), screw through end panel holes (A) into metal rods (B).
- 2) Using screws (C), screw through bottom holes of end panel (A) into stabilizing brace (F).
- 3) Place bins (D & E) onto rods of assembled rack. Bins may be laid flat or tilted for easy viewing.

